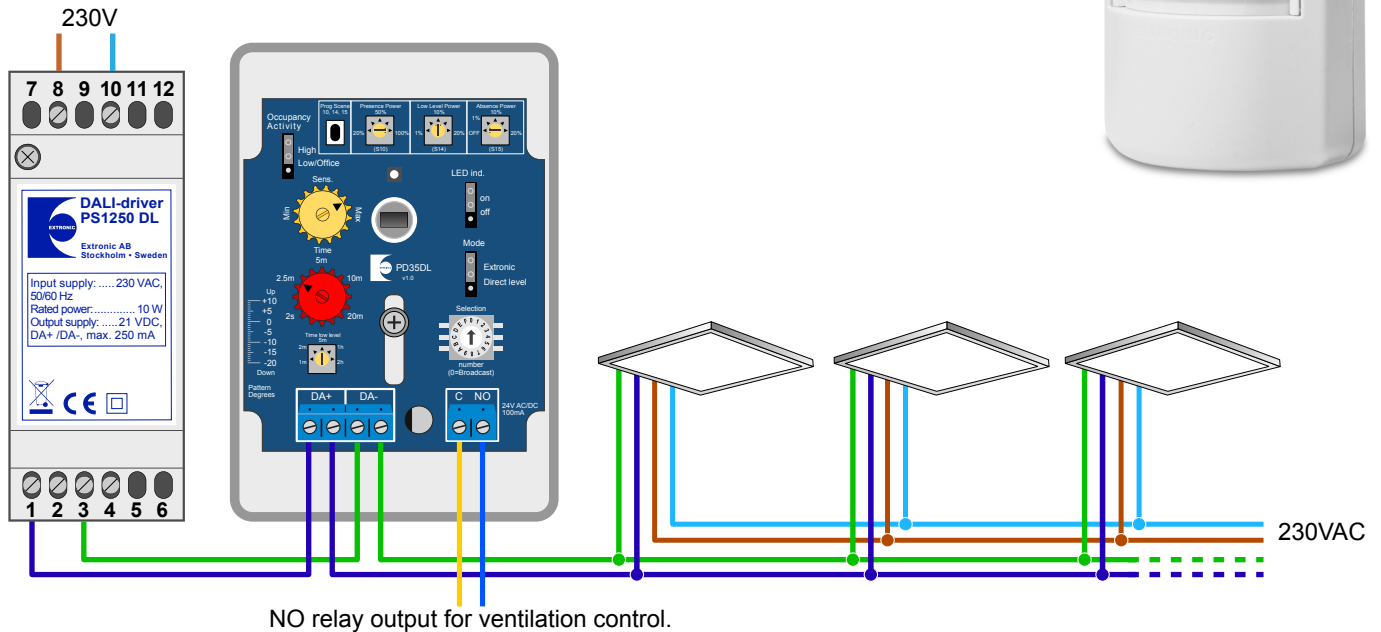




PD-35 DL is a passive infrared detector designed for occupancy detection and control of DALI lighting fixtures. It has a pyroelectric sensor that reacts to changes in heat radiation.

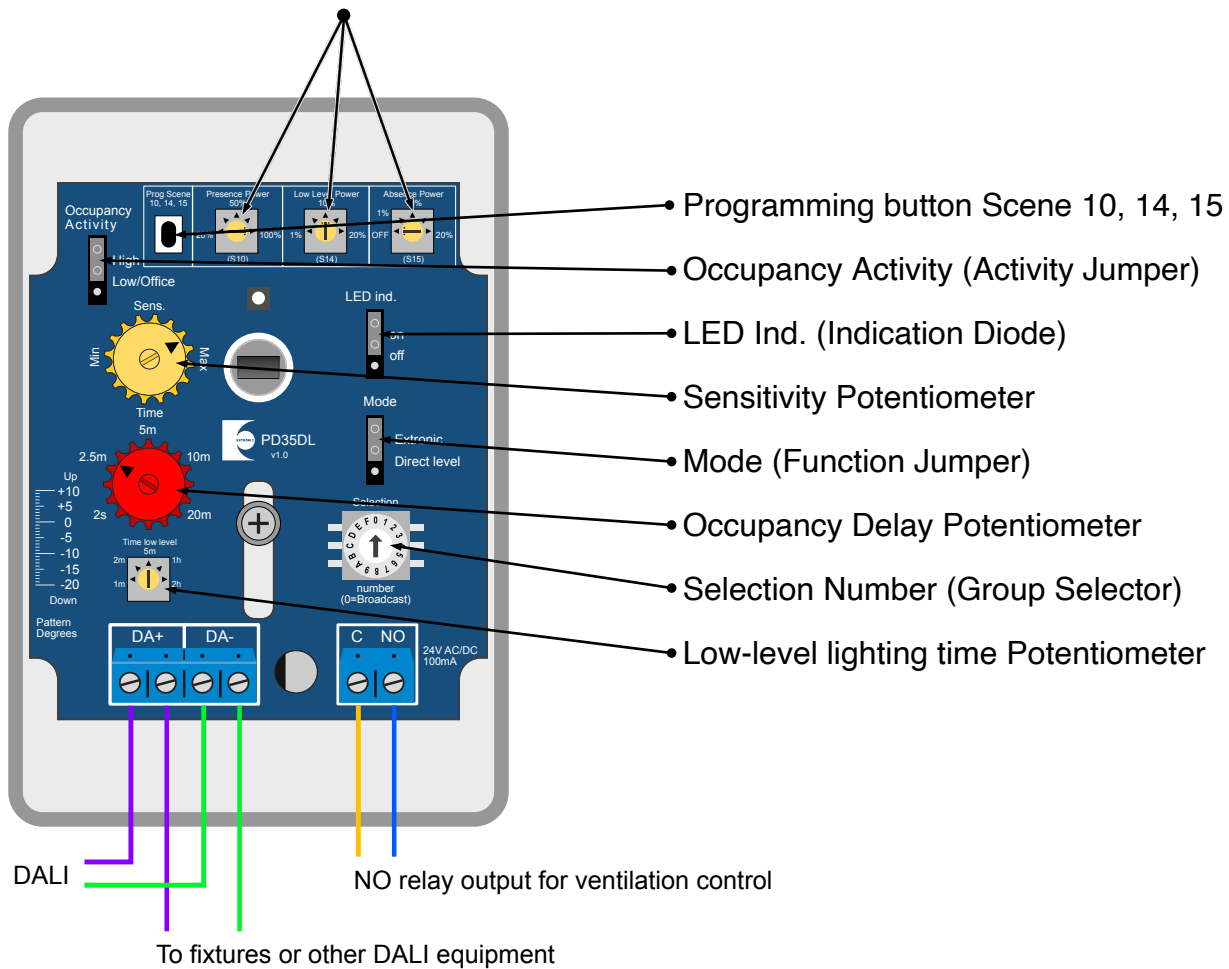
At delivery, the detector's range is 40 meters in a 90-degree opening angle, but by changing the lens, the range can be extended to 80 meters. The range can also be reduced to make the detector more sensitive to small movements, for example in a classroom.



## Features

- PD35 DL turns on, dims, and turns off DALI fixtures.
- Relay output for ventilation, for example. 100 mA 24V AC/DC.
- Broadcast or group addressing.
- Multiple detectors collaborate (PD35 DL, PD-33 DL, and AD-36 DL) if they control the same fixture group or if they control through Broadcast.
- Control light level with direct control to levels set with "Power Potentiometers" or selectable levels via Scene 10, 14, 15.
- Adjustable occupancy delay 2 s - 20 min.
- Adjustable low-level delay 1 min - 2 hrs.
- Adjustable light level at occupancy 20 - 100%.
- Adjustable low light level 1 - 20%.
- Adjustable light level at absence 0 - 20%.
- Adaptation for office environment with different signal processing at occupancy.
- "No start-up mode" (no ignition) that keeps the lighting on can be selected. (Manual ignition with push-button.)
- Powered via the DALI bus (consumes a maximum of 12 mA).
- Programming of fixtures can be performed with knobs, jumpers, and a button on the detector's circuit board.
- The lens can be replaced to adapt the detection area. Several lenses are available.

## Light level for direct control or programming of Scene 10, 14, 15



## Examples of areas where occupancy detection with PD35 DL is suitable:

- Sports halls
- Corridors
- Offices
- Classrooms
- Warehouse aisles
- Warehouses
- Garages, etc.

## Technical specification

Vertical adjustment:	+10° to -20° calibrated scale.
Horizontal adjustment:	Up to 30°
Voltage:	Powered by the DALI bus.
Current:	Max. 12 mA.
Startup time:	< 2 minutes.
Relay output:	Normally Open contact. 100 mA / 24V AC/DC.
LED:	Red IR, switchable.
Detector:	Dual-element, low-noise, pyroelectric IR detector.
Range:	40 x 40 meters with standard lens. Up to 80 meters with another lens.
Enclosure:	IP42
Dimensions: (W x H x D):	70 x 102 x 50 mm.
Weight:	93 g.