

Order Codes

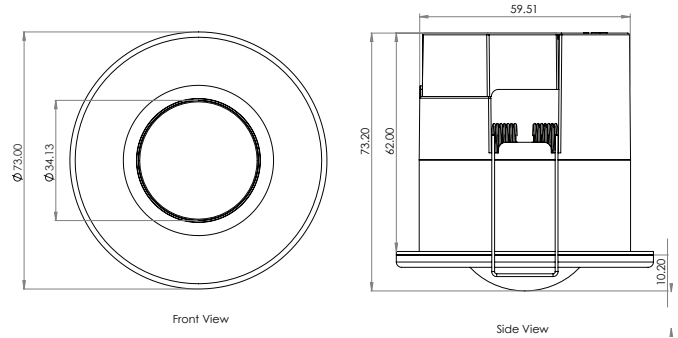
Product SKU	Description
VS-S1-LBW	S1 Sensor - White
VS-S1-SMW	S1 Surface Kit - White

Technical Specification

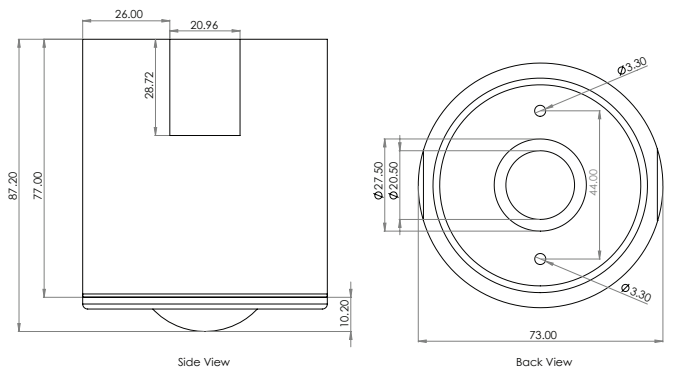
Control	Casambi
Wireless Range	STD: 85m LR: 160m (LOS)
Supply	220-240VAC 50/60Hz
Output	DALI 100mA/16.5VDC
Max DALI Load	Up to 50 Drivers
Output	Relay 10A Capacitive Relay 10A Inductive Relay 10A Resistive
Maximum Inrush	250A/1ms, 140A/10ms
Input	1x Momentary Switch Input
Lens	Fresnel
Sensor	PIR, Ambient Light
Light Detection Range	1-999 Lux
Operating Temperature	-10 to 55°C
Wiring	Loop in/loop out (No Earth)
Terminal Capacity	2.5mm ²
Material	Flame Retardant ABS+PC
Ingress Protection	IP65 - Recessed (Front Only) or Surface Mounted (All)
Cutout	62-66mm
Transceiver Frequency	2.4GHz ISM Band
Warranty	5 Years

Dimensions (mm)

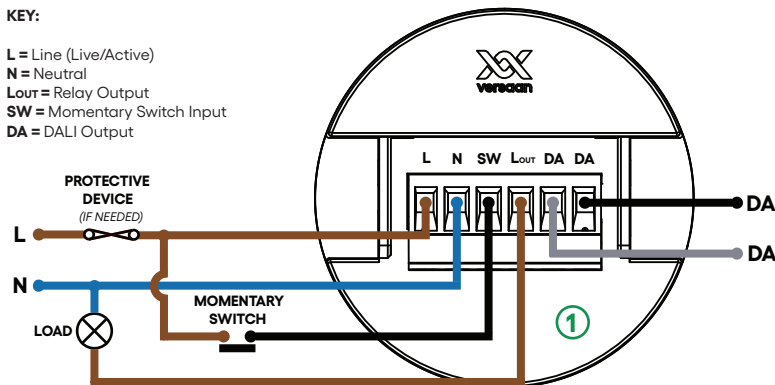
VS-S1-LBW



VS-S1-SMW (with S1 installed)



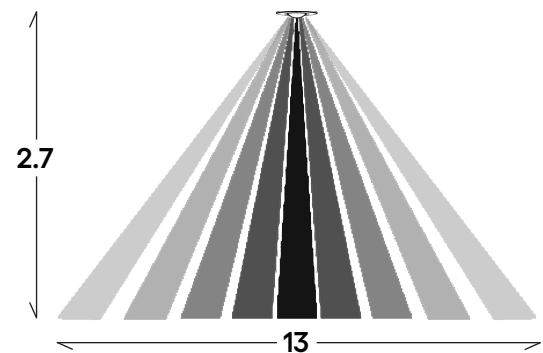
Wiring Schematic



Safety Information

Install only by a licensed electrician. Turn off and isolate the electrical supply before installation. No user serviceable parts; servicing voids the warranty. Treat DALI as LV, not SELV. Installers must comply with building and safety codes. Refer to relevant standards.

Detection Pattern (m)



NOTES

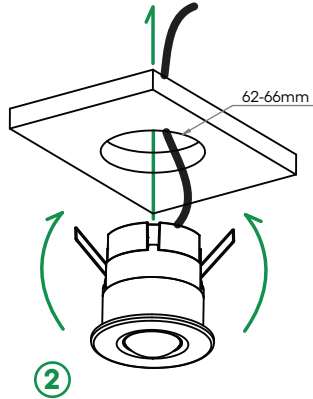
Calculate the inrush current of the total load to ensure it doesn't exceed the maximum limit, or risk relay damage or failure, voiding warranty. Unity S1 must be at least 1 metre away from heat sources (eg HVAC, direct sunlight).

Installation

Unbox the product and carefully inspect it for any signs of damage. If you notice any defects or issues, do not proceed with the installation. Return the product to the original place of purchase for an exchange.

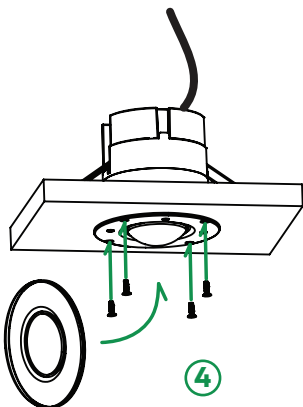
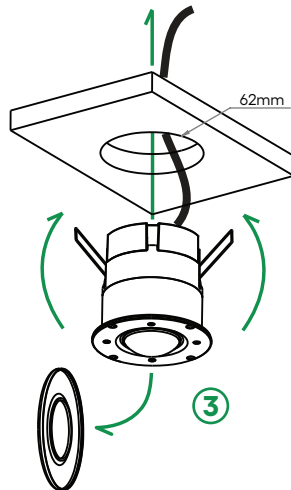
Recessed (IP54 From Front)

1. Refer to the detection pattern guide for proper placement.
2. Drill 62-66mm hole with a hole saw.
3. Wire the Unity S1 as per the wiring diagram (fig 1).
4. Lift spring clips upward and insert Unity S1 into the ceiling (see fig 2).
5. Installation complete



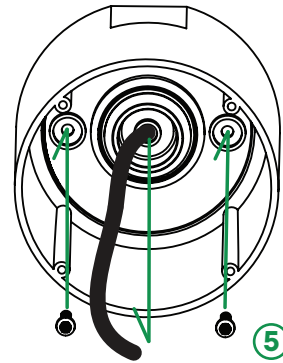
Recessed (IP65 From Front)

1. Refer to the detection pattern guide for proper placement.
2. Drill 62mm hole with a hole saw.
3. Wire the Unity S1 as per the wiring diagram (fig 1).
4. Lift spring clips upward, remove cover and insert Unity S1 into the ceiling. (see fig 3).



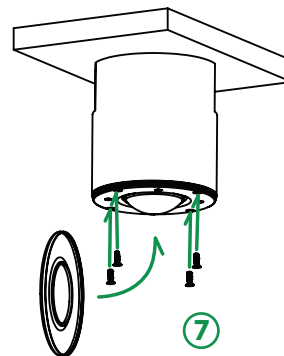
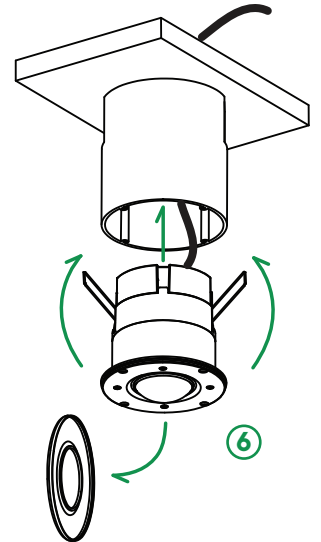
5. Make sure the Unity S1 is seated properly then screw the supplied 4x Phillips PH1 M2.5 countersunk screws into the 4 mounting holes (see fig 4). Make sure the material the screws are being installed in is dense enough to provide secure mounting.
6. Replace the cover
7. Installation complete

Surface (IP65)



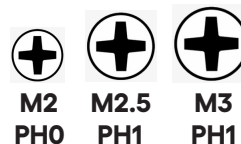
1. Refer to the detection pattern guide for proper placement.
2. Drill 2x 2.5mm holes 44mm apart.
3. Drill a third central hole and pull the electrical cable through the IP67 seal on the back of the kit.
4. Centre the Surface kit across the 2x 2.5mm holes and install the 2x Phillips PH1 M3 Pan Head screws to tighten the Surface kit to the ceiling (see fig 5).

5. Wire the Unity S1 as per the wiring diagram (see fig 1).
6. Lift spring clip upwards, remove cover and insert Unity S1 into the Surface kit (see fig 6).
7. Screw the supplied 4x Phillips PH1 M2.5 countersunk screws into the 4 mounting holes and into the Surface kit (see fig 7).



8. Replace the cover
9. Installation complete

Driver Requirements (Phillips)



Profiles

Fixture	Model	Description
All fixtures below	Default Settings - In addition to all models below	Relay with ON/OFF Toggle, OFF when Dimmed to 0%, ON when >0%. PB controls dimming/ON/OFF by default. Default Sensor Mode 20min Hold/1sec Fade/Presence 75%/Absence 0%/Remove Manual Control Enabled
DALI Broadcast		
35768	Unity S1 DALI/BC/DIM/RELAY	Basic DALI broadcast dimmer, no short addressing required
DALI DT6		
37249	Unity S1 DALI/1ch/DIM/RELAY	Basic DALI dimmer, using address #0 for dimming channel
37267	Unity S1 DALI/2ch/DIM,DIM/RELAY	Two channel DALI dimmer. Dimmer #1: address #0, Dimmer #2: address #1
37268	Unity S1 DALI/3ch/DIM,DIM,DIM/RELAY	Three channel DALI dimmer. Dimmer #1: address #0, Dimmer #2: address #1, Dimmer #3: address #2
37269	Unity S1 DALI/4ch/DIM,DIM,DIM,DIM/RELAY	Four channel DALI dimmer. Dimmer #1: address #0, Dimmer #2: address #1, Dimmer #3: address #2, Dimmer #4: address #3
37270	Unity S1 DALI/2ch/DIM,TW/RELAY	Two channel DALI warm/cool mixer
37271	Unity S1 DALI/2ch/DIM,TW(No Mix)/RELAY	Two channel DALI warm/cool without mixing. Address 0 will receive dim level and address 1 will receive tunable white ratio
38439	Unity S1 DALI/2ch/DIM [WarmCool]/RELAY	Single DALI dimmer controlling two Tuneable White channels (CW and WW). E.g. light is warmer at low dimming levels and cooler at high brightness levels
38440	Unity S1 DALI/2ch/DIM,Vertical/RELAY	DALI dimmer and vertical ratio selector (sum of channels is same as dim level)
38441	Unity S1 DALI/2ch/DIM,Vertical[No Mix]/RELAY	DALI dimmer and vertical ratio selector
38442	Unity S1 DALI/3ch/DIM,TW/RELAY	Three channel DALI dimmer with simulated tuneable-white effect (White, Warm White and Cold White) for dimmer and color temperature
38443	Unity S1 DALI/4ch/DIM,DIM TW/RELAY	Four channel DALI warm/cool mixer with two dimmer controls and shared color temperature control. 1x4-channel or 2x2-channel DALI driver(s)
38445	Unity S1 DALI/4ch/DIM,Vertical,TW [Evolution]/RELAY	Four channel DALI output for dual tunable white with dimming ratio selector
38446	Unity S1 DALI/3ch/DIM,RGB/RELAY	Three channel DALI RGB fixture, Red: address #0, Green: address #1, Blue: address #2
38447	Unity S1 DALI/3ch/DIM,RGB,TW/RELAY	Three channel DALI RGB fixture with simulated tunable white; calibration graphs required, Red: address #0, Green: address #1, Blue: address #2
38448	Unity S1 DALI/4ch/DIM,RGBW [deprecated]/RELAY	Four channel DALI RGB fixture with white LED. Cool and warm LED temperature should be set to same value. RGB and White leds are exclusive
38449	Unity S1 DALI/4ch/DIM,RGBW(TW)/RELAY	Four channel DALI RGBW fixture with simulated tunable white; calibration graphs required, Red: address #0, Green: address #1, Blue: address #2, White: address #3
38450	Unity S1 DALI/4ch/DIM,RGBW/RELAY	Four channel DALI RGB fixture with white. RGB is always present but amount of white can be adjusted
38451	Unity S1 DALI/4ch/DIM,RGB/White/RELAY	Four channel DALI RGB fixture with white. The ratio between RGB and White is selected with mixer
38452	Unity S1 DALI/5ch/DIM,RGB,TW [Evolution]/RELAY	Five-channel DALI fixture with RGB and Tunable White (WW/CW) outputs. The ratio between RGB and TW is selected with mixer.
38453	Unity S1 DALI/5ch/DIM,RGB,TW [Evolution]/RELAY	Five-channel DALI fixture with exclusive RGB and Tunable White (WW/CW) outputs. Cross-fading is applied on switching between the color and white modes
38454	Unity S1 DALI/5ch/DIM,RGB/W+W[Evolution]/RELAY	Five-channel DALI RGB/W fixture with mixed White and extra light (White #2) output. The ratio between RGB and White is selected with mixer. White #2 can be independent, blended or modulated by the main Dimmer
38455	Unity S1 DALI/6ch/DIM,RGB/W+TW[Evolution]/RELAY	Six-channel DALI RGB fixture with mixed White and extra pair of WW + CW outputs. The ratio between RGB and White is selected with mixer. TW output is defined by own Dimmer (White #2) and Color Temperature controls
DALI DT8		
38456	Unity S1 DALI/DT8/DIM,TW/RELAY	DALI Dimmer with tuneable white for Unity S1 with DALI DT8 driver supporting TC color model: warm/cool mixing is done by DALI driver, and Unity S1 sets dimlevel and temperature values
38458	Unity S1 DALI/DT8/DIM[WarmCool]/RELAY	Single DALI dimmer controlling both light intensity and color temperature. E.g. light is warmer at low dimming levels and cooler at high brightness levels.
38460	Unity S1 DALI/DT8/2x(DIM,TW)[Evolution]/RELAY	DALI dual tunable-white fixture with two DT8 DALI output addresses
38461	Unity S1 DALI/DT8/DIM,DIM,TW/RELAY	2 DALI dimmers with common tuneable-white control
38462	Unity S1 DALI/DT8/DIM,DIM,DIM,TW/RELAY	3 DALI dimmers with common tuneable-white control
38463	Unity S1 DALI/DT8/DIM,RGB/RELAY	3-channel (RGB) DALI DT8 dimmer supporting 'RGBWAF' color-type input: Dim and RGBWAF channels
38464	Unity S1 DALI/DT8/DIM,RGBW/RELAY	4-channel (RGBW) DALI DT8 dimmer supporting 'RGBWAF' colortype input: Dim and RGBWAF channels
38466	Unity S1 DALI/DT8/DIM,RGB/White[Evolution]/RELAY	4-channel (RGBW) DALI DT8 dimmer with mixer for RGB and White channels.
38467	Unity S1 DALI/DT8/DIM,RGB,TW/RELAY	DALI DT8 dimmer with mutually exclusive RGB or TC (color temperature) controls
38468	Unity S1 DALI/DT8/DIM,RGB,TW[Evolution]/RELAY	DALI DT8 dimmer with mutually exclusive RGB or TC (color temperature) controls
38469	Unity S1 DALI/DT8/DIM,RGBW(AF)[Evolution]/RELAY	DALI DT8 dimmer with 4/5/6-channel RGBWAF outputs; Add 1-2 custom elements for the White/Amber/Free color channels.
38470	Unity S1 DALI/DT8/DIM,RGBW(AF),TW[Evolution]/RELAY	DALI DT8 dimmer with 4/5/6 channels RGBWAF output with exclusive RGBW+A+F or TC (color temperature) modes; add 1-2 custom elements for the extra Amber/Free color channels.
38471	Unity S1 DALI/DT8/DIM,RGB+TW(WAF)[Evolution]/RELAY	DALI DT8 dimmer with 4/5/6-channel RGBWAF control, producing simultaneous output for color (RGB) and tunable-white (WAF) channels; the White/Amber/Free color outputs are controlled with a single CCT level input.
38473	Unity S1 DALI/DT8/DIM,XY[Evolution]/RELAY	Multichannel DALI DT8 dimmer supporting 'XY' color-type control.
38474	Unity S1 DALI/DT8/DIM,XY,TW[Evolution]/RELAY	Multichannel DALI DT8 dimmer supporting exclusive 'XY' and 'TC' color-type control.