

Unity S1

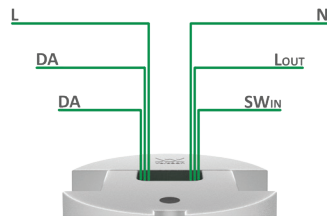
The Unity S1 redefines lighting control by combining Casambi wireless technology with our advanced all-in-one sensor providing DALI, Relay, Push-button Control, IP Protection and expansive Motion and Ambient Light detection. Engineered to manage commercial lighting at scale in buildings of any size, it delivers a complete control solution from a single device.



Features

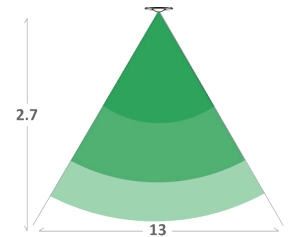
Control

Versatile and precise, the S1 delivers advanced control options for any lighting requirement. Featuring a DALI 100mA output and a robust 10A Relay output with 250A inrush, it ensures seamless integration with both digital and traditional systems. Added push button control allows for manual adjustments, putting intuitive control at your fingertips.



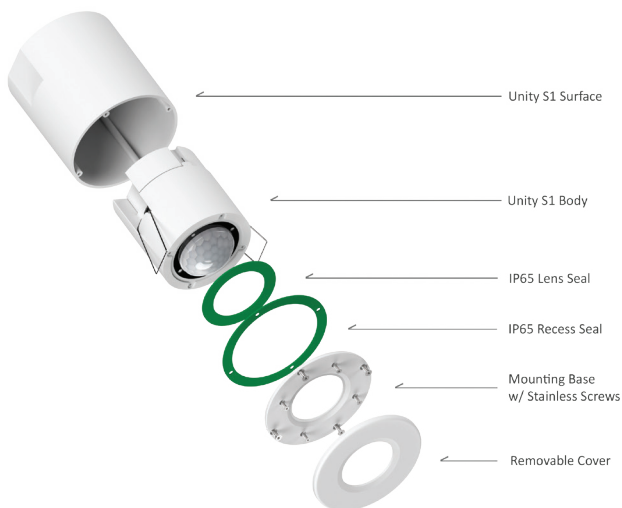
Range

Designed to perform, the S1's PIR sensor offers a substantial 13 metre detection range at a mounting height of 2.7 metres. This ensures reliable motion detection across expansive areas, from small rooms to large open spaces.



Versatility

Equipped for any setting, the S1 boasts an IP65 rating, making it a champion against dust and water. Its versatility ensures top performance indoors and outdoors, adapting effortlessly to varying environmental conditions.



Surface

Install it your way, S1's surface mounting accessory allows for flexible installation with 20mm exclusion areas for conduit through wiring. It maintains IP65 protection, combining durability with ease of integration.



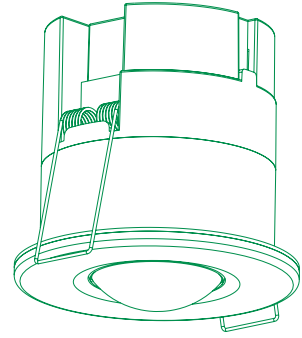
Cover

Maintenance made simple, the S1's cover clips easily onto the sensor and is paintable, facilitating smooth integration with your architectural designs. Quick access for maintenance combined with aesthetic adaptability enhances both functionality and style.





Unity S1



Specifications

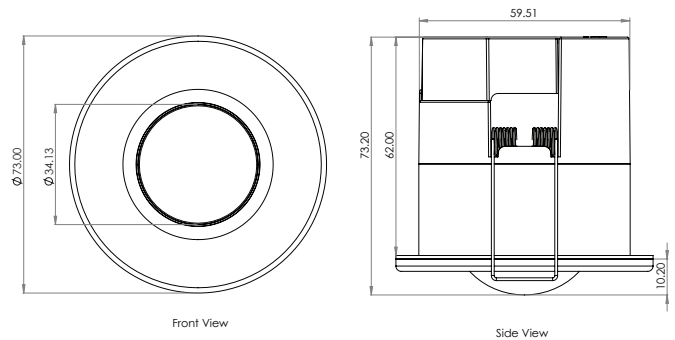
Order Codes

Product SKU	Description
VS-S1-LBW	S1 Sensor - White
VS-S1-SMW	S1 Surface Kit - White

Technical Specification

Control	Casambi
Supply	220-240VAC 50/60Hz
Output	DALI 100mA/16.5VDC
Max DALI Load	Up to 50 Drivers
Output	Relay 10A Capacitive Relay 10A Inductive Relay 10A Resistive
Maximum Inrush	250A/1ms, 140A/10ms
Input	1x Momentary Switch Input
Lens	Fresnel
Sensor	PIR, Ambient Light
Light Detection Range	1-999 Lux
Operating Temperature	-10 to 55°C
Wiring	Loop in/loop out (No Earth)
Terminal Capacity	2.5mm ²
Material	Flame Retardant ABS+PC
Ingress Protection	IP65 - Recessed (Front Only) or Surface Mounted (All)
Cutout	62-66mm
Transceiver Frequency	2.4GHz ISM Band
Warranty	5 Years

Dimensions - VS-S1-LBW



Dimensions - VS-S1-SMW (with S1 installed)

